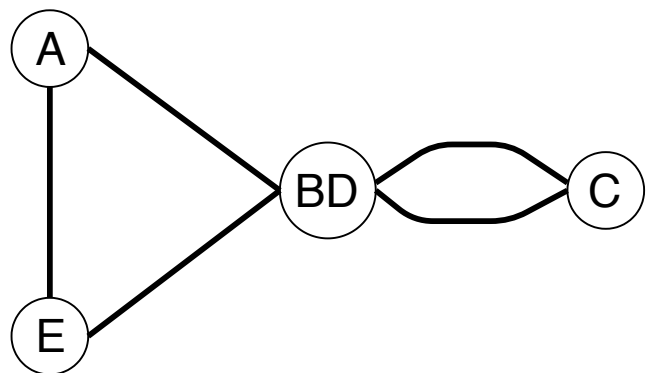
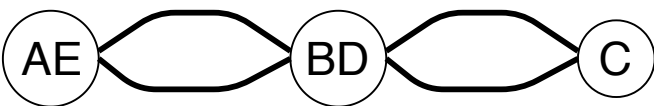


CONTRACT (G, {B, D})



CONTRACT (G, {A, E})



CONTRACT (G, {AE, BD})

